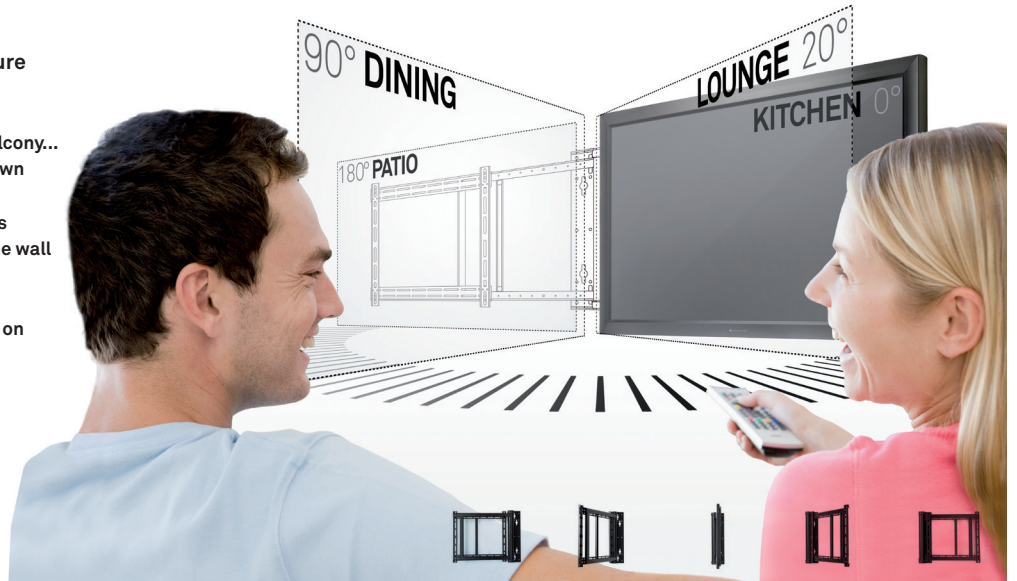


# mMotion swing *small*

## REMOTE-CONTROLLED WALLMOUNT

Move your TV automatically, not your furniture to find your perfect viewing angles

- + Watch TV from the sofa, dining-area and the balcony...
- + Works with most remotes, including your TV's own
- + Universal mount – fits most sizes and brands
- + 180 degrees of freedom - you stay, the TV moves
- + Almost invisible - TV only 1.58" (40mm) from the wall
- + Easy to install
- + Two easy preset positions
  - can go to favourite position when TV is turned on
- + Small size is recommended for up to 37" TVs



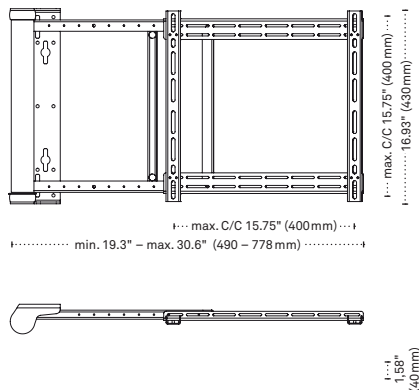
Experience life from new angles - watch TV from any spot - The mMotion swing wallmount fits almost every size and brand of TV, allows 180 degrees rotation, and swings around corners. Sit back, relax and swing with the mMotion remote controlled wall mount!



### Technical information

- + V/H pivot adjustment
- + Easy one stud installation
- + Weight: 4.9 kg
- + Operating voltage: 100-240V AC, 50-60Hz (13 VDC AC-Adapter)
- + Power Consumption: operating mode < 20W / idle mode < 0.5W
- + Remote control standard: IR
- + Learning receiver: Can learn most remotes
- + Maximum load: 55 lb (25 kg)
- + Maximum width: 1000mm – C/C 400x400mm

### Dimensions



### Packaging

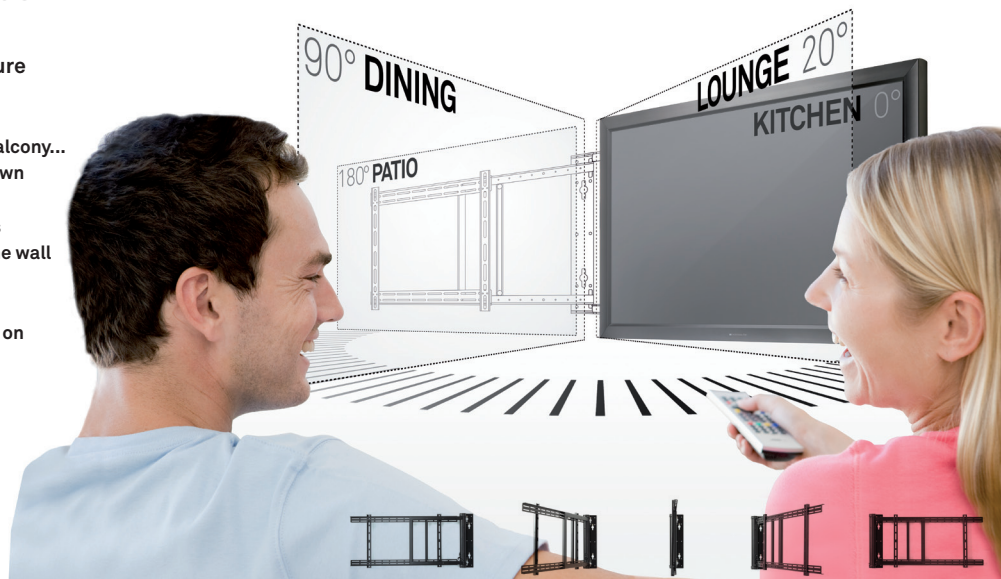


# mMotion swing *large*

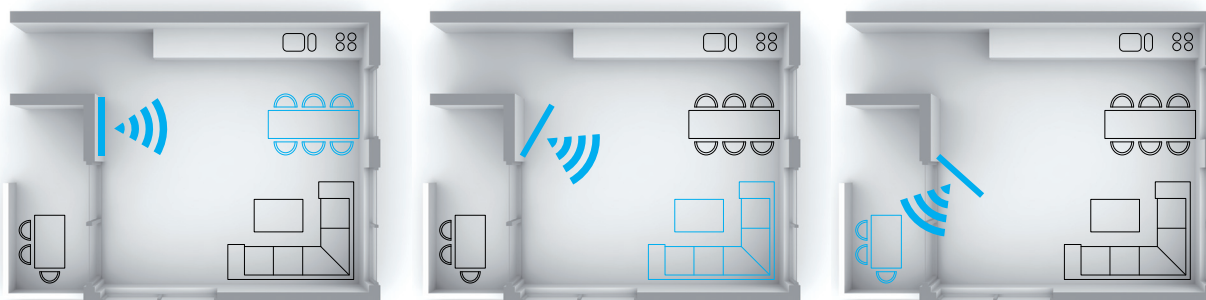
## REMOTE-CONTROLLED WALLMOUNT

Move your TV automatically, not your furniture to find your perfect viewing angles

- + Watch the from the sofa, dining-area and the balcony...
- + Works with most remotes, including your TV's own
- + Universal mount – fits most sizes and brands
- + 180 degrees of freedom - you stay, the TV moves
- + Almost invisible - TV only 1.58" (40mm) from the wall
- + Easy to install
- + Two easy preset positions
  - can go to favourite position when TV is turned on
- + Large size is recommended for 37" - 55" TVs



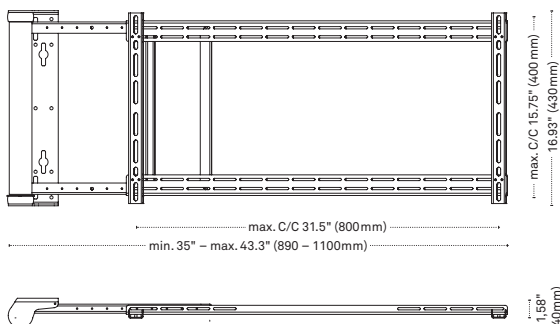
Experience life from new angles - watch TV from any spot - The mMotion swing wallmount fits almost every size and brand of TV, allows 180 degrees rotation, and swings around corners. Sit back, relax and swing with the mMotion remote controlled wall mount!



### Technical information

- + V/H pivot adjustment
- + Easy pne stud installation
- + Weight: 5.1 kg
- + Operating voltage: 100-240V AC, 50-60Hz (13 VDC AC-Adapter)
- + Power Consumption: operating mode < 20W / idle mode < 0.5W
- + Remote control standard: IR
- + Learning reciever: Can learn most remotes
- + Maximum load: 100 lb (45 kg)
- + Maximum width: 1300mm – C/C 800x800mm

### Dimensions



### Packaging

